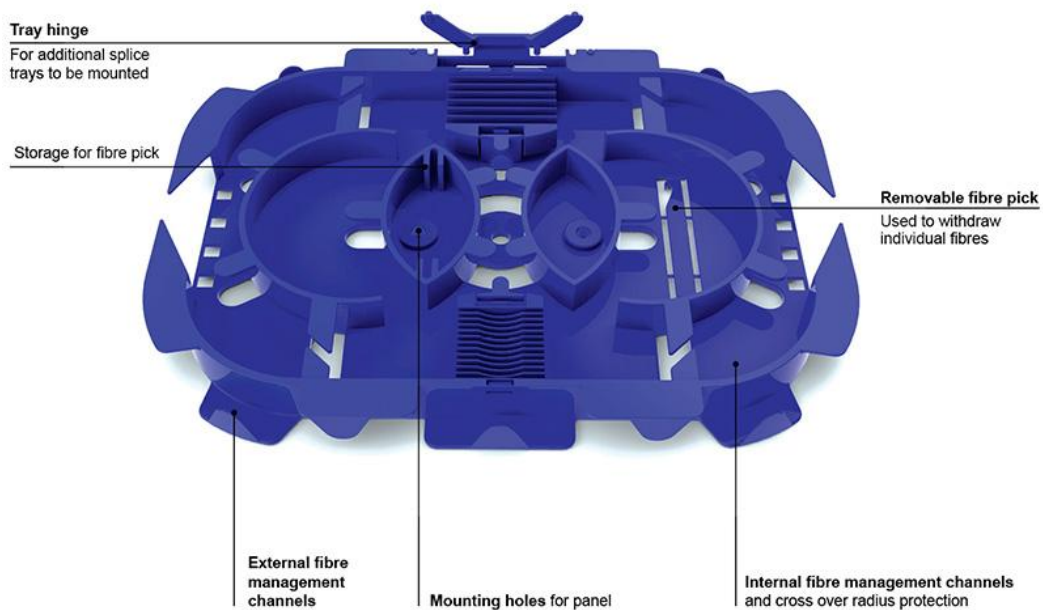


Skjøtekassett



Skjøtekassett for opp til 24 fibre

Brukervennlig skjøtekassett med en unik og oversiktlig håndtering av både fiber og skjøter. Denne kassetten holder opp til 24 fibre.

Egenskaper

- Unique external fibre pathway allows easy storage of excess fibre and multi-directional routing of entry and exit fibres
- Spacious interior maintains 30mm fibre bend radius and allows storage of either 250µm or 900µm buffered fibre
- Internal management allows multiple fibre routing options including cross over
- Pivoting splice holders allow uninterrupted control of fibre prior to splicing and during rework
- Built in fibre pick can be used to withdraw individual fibres and can be stored in the tray after use
- Will hold up to 24 splices with either heatshrink or crimp style splice protectors
- Supplied with tray hinge to maintain access to splices with stacked trays
- Transparent clip in lid supplied with every tray
- Cable tie points to secure fibre on entry and exit
- Mountable via central hole, DIN style holes or double sided foam adhesive pad

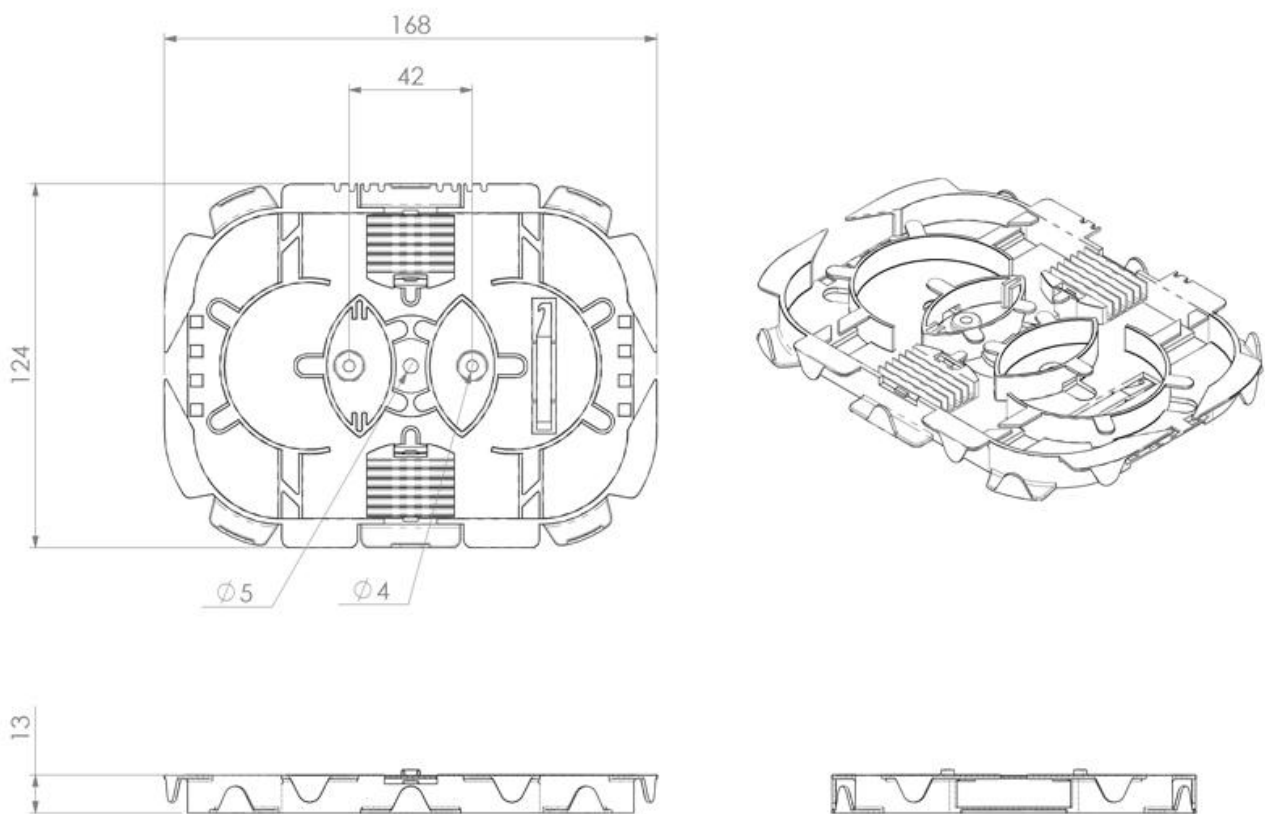
Applikasjoner

- Fibre management
- Internal and external
- Wall boxes
- Patch panel

Spesifikasjoner

ELEMENT	VALUE
Width	168mm
Depth	124mm
Height	13mm
Net weight	81g
Material	ABS
Colour	Blue
Operating temperature	-40°C to +60°C
Designed in accordance with	TIA/EIA 568.C, ISO/IEC 11801, EN50173, IEC60304, IEC61754, EN297-1
Compliant to	RoHS, Reach/SVHC

Teknisk tegning



Bestillingsinformasjon

El Nr.	Part Name
6904393	Skjøtekassett for 24 fiber,Blå