

Bergen Cabling Fiberoptisk Patchepanel 1HU 24 ports ST Simplex svartlakkert stål



24 port Fiberoptisk Glide Patchepanel

Patchepanel Singlemodus/Multimodus 1HU i svartlakkert stål. Panelet er designet for å holde opp til 24 fibre. Panelet har også flere kabelinnganger, opp til 4 standard kabelinngangspunkt, for loose tube, tight buffer, preterminert og armert kabel. Regulerbare side stativ for å kunne trekke patchepanelet frem eller tilbake i skapet. Mulighet for å feste strekkavlastning fra kabel i panelet.

Egenskaper

- Up to 24 fibres in 1U
- Multiple Adaptor options available
- 24 Adaptor positions
- Individually labeled ports
- 45° open working angle
- Accepts loose tube, distribution and pre terminated cables
- RoHS, REACH SvHC and UL rated
- Fits standard 19"

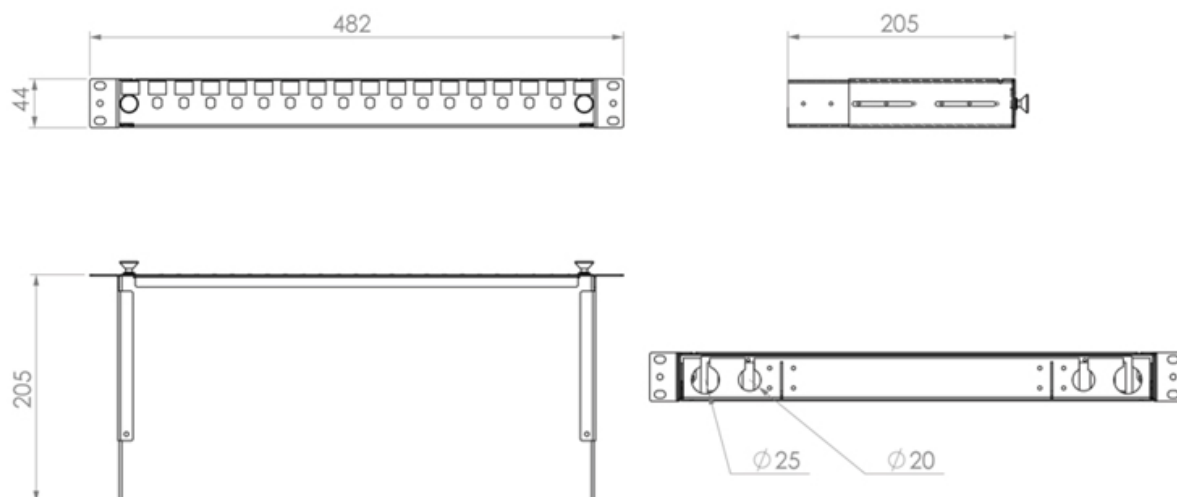
Applikasjoner

- Data centers, premise installations, telecommunication networks
- Ethernet, Fibre Channel, ATM, LAN, MAN and WAN
- Data communication
- Indoor applications

Spesifikasjoner

ELEMENT	CHARACTERISTIC
U Size	1U (44.4mm)
Width	482mm
Depth	205mm
Net weight	2.5 kg
Packaged weight	3 kg
Packaged dimensions	530mm W X 55mm H x 260mm D
IP rating	IP20
Suitable for Adaptor type	ST/FC
Number of ports	24
Cable Entry 20mm	2
Cable entry 25mm	2
Mounting Adjustment range	50mm
Material	Cold- rolled steel
Material thickness	1.2mm
Material coating	Powder coating
Colour	RAL 9004
Operating temperature	-40°C to +50°C
Designed in accordance with	TIA/EIA 568.C, ISO/IEC 11801, EN50173, IEC60304, IEC61754,EN297-1
Compliant to	RoHS, Reach/SVHC

Teknisk tegning



Bestillingsinformasjon

El Nr.	Part Name
6904305	Fiberpanel 24p ST DX MM ink. adaptere
6904306	Fiberpanel 24p ST DX SM ink. adaptere